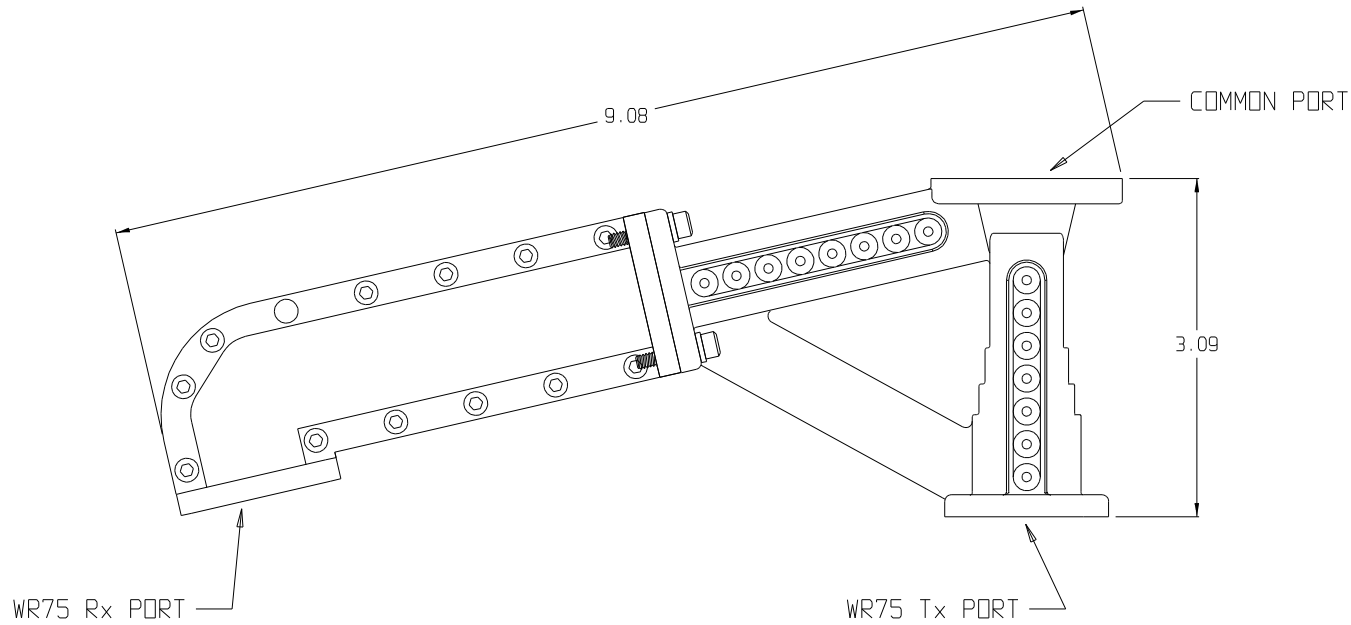


REVISIONS			
SYM.	DESCRIPTION	DATE	APPO
A	REVISED TRANSMIT FREQUENCY BAND.		



SPECIFICATION	TRANSMIT	RECEIVE
FREQUENCY	13.75 - 14.50 GHz	10.95 - 12.75 GHz
VSWR	1.4:1	1.6:1
ISOLATION	70 dB @ 13.75-14.50	40 dB @ 10.95 - 12.20 35 dB @ 12.20 - 12.75
INSERTION LOSS	0.5 dB MAX.	0.7 dB MAX.
CROSS-POL ISOLATION	30 dB	30 dB
INTERFACE	WR75 COVER	WR75 COVER



TITLE  
KU-BAND CO-POL RX/TX FEED ASSEMBLY

Prodelin's drawings, sketches, computer programs, plans, specifications, technical data, prototype products, blueprints, photographs, instructions, diagrams, models, formulae, tables, engineering designs, diskettes, tapes, software, other electronic media (defined to include, but not be limited to, the system functional design, logic flow, algorithms, application programs, operating systems, software design implementation, tests, test results, operation, diagnosis, repair...) and/or documents (collectively "Proprietary Materials") are confidential and proprietary in nature and are considered by it to constitute "trade secrets" as defined by N.C. Gen. Stat. §66-152 (3Xa) and (b) of the North Carolina Uniform Trade Secrets Act, by the Uniform Trade Secrets Act and by any other states'/countries' Trade Secrets Acts regardless if some of the information or documents that were incorporated into such drawings, sketches, computer programs, plans, specifications, technical data, prototype products, blueprints, photographs, instructions, diagrams, models, formulae, tables, engineering designs, diskettes, tapes, software, other electronic media (defined to include, but not be limited to, the system functional design, logic flow, algorithms, application programs, operating systems, software design, implementation, tests, test results, operation, diagnosis repair...) and/or documents or other information that was incorporated into the Proprietary Materials came from a customer or third party and whether such Proprietary Materials do or do not constitute intellectual property, patent, trademark or copyright rights or material. THESE "PROPRIETARY MATERIALS" MAY NOT BE COPIED, REPRODUCED, DISCLOSED OR DISTRIBUTED IN WHOLE OR IN PART TO OTHER PARTIES EITHER VERBALLY OR IN WRITING WITHOUT PRIOR WRITTEN APPROVAL BEING OBTAINED FROM THE PRODELIN DOCUMENTATION SUPERVISOR OR A DULY AUTHORIZED REPRESENTATIVE.

MATERIAL	FINISH	
NEXT ASS'Y	CODE IDENT. NO. 94661	
DRAWN 4/23/04 BY CLT	0800-2558	REV. A
CHECKED BY		
ENGR. BY		
MFG APVD BY	SCALE NTS	SH. 1 OF 1